

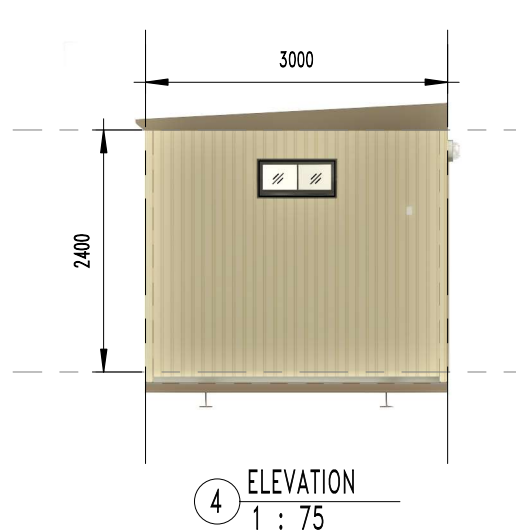
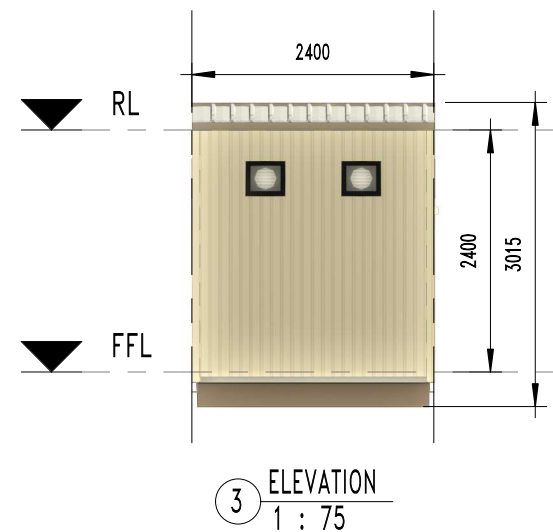
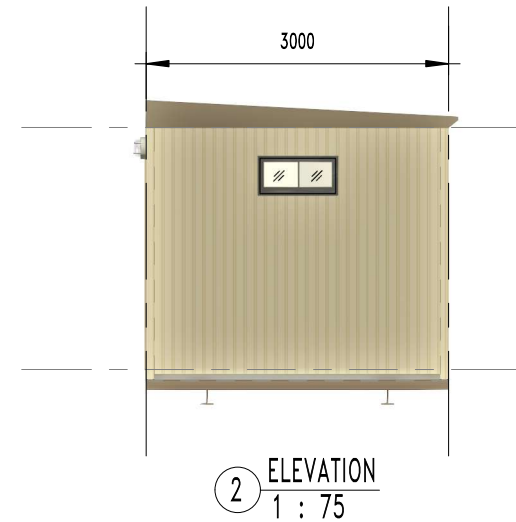
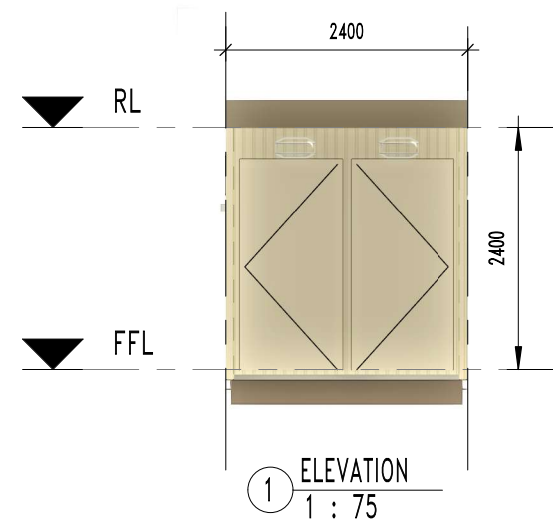
GENERAL NOTES & DISCLAIMERS

- ALL BUILDINGS DESIGNED AND CERTIFIED IN ACCORDANCE WITH NTH STANDARD DRAWINGS. BUILT TO BCA REQUIREMENTS.
- PLUMBING AND ELECTRICAL WIRING DONE IN ACCORDANCE TO AUSTRALIAN STANDARDS.
- FURNITURE, PLUMBING & ELECTRICAL ITEMS FOR INDICATIVE PURPOSE ONLY.
- ALL BUILDINGS ARE MANUFACTURED TO WIND SPEED: REGION C, IMPORTANCE LEVEL 2

CLIENT APPROVAL:
 CLIENT NAME:
 DATE (DD-MM-YYYY):
 SIGNATURE:

SYMBOL/LEGEND

	SWITCHED OUTLET 10A DOUBLE GPO		DISTRIBUTION BOARD
	SINGLE LIGHT SWITCH		DISTRIBUTION BOARD EXTERNAL POINT OF ATTACHMENT
	SWITCHED OUTLET 10A SINGLE		2x36W FLUORESCENT LIGHT FITTING C/W DIFFUSER



REVISION/AMENDMENT

REV	DATE	BY	DESCRIPTION
0	03/11/23	NP	APPROVED FOR CONSTRUCTION



HR_ELEC/HYDRO/FURNISHING SCHEDULE

TAG	QTY	DESCRIPTION
1	2	PAN & CISTERN + TOILET ROLL HOLDER
2	2	SMALL STAINLESS STEEL SINK AND FLICKMASTER TAP WITH SMALL MIRROR

HR_DOOR SCHEDULE

TAG	QTY	HEIGHT	WIDTH	ITEM
D1	2	2040	920	EXTERNAL PANEL DOOR
W1	2	350	750	SLIDING GLASS WINDOW

NORTHERN TRANSPORTABLES

2.4x3m Male / Female Ablution

FLOOR PLAN & ELEVATIONS

CHECKED (PO): RH CHECKED (PM): GW

DRAWN BY: NP DRAWN DATE: SCALE: As indicated

SHEET: S01.1 SHEET SIZE: A3 REVISION: 0

3/11/2023 1:40:58 PM

Copy Right
 This drawing is the property of Northern Transportables Pty. Ltd. It must not be loaned, copied, reproduced or shown to third parties without authority and written consent of Northern Transportables.